



S35-2SLC-30

SFP-Port Gigabit Mini GBIC Transceiver Module (1310nm) - 30Km - SM - Wide-Temp

Overview

The UTC Fire & Security transceiver module is specifically designed to accommodate high-performance optical fiber, including integrated duplex data link over single mode. Compliant with the SFP Multisource Agreement (MSA), these transceiver modules feature hot-plug capability for easy installation without interrupting host equipment operating online. The SFP GBIC transceiver module can install into UTC Fire & Security switch products with 100Base-FX or 1000Base-SX/LX SFP interface.



Details

- SFP multi-source agreement compliant
- Data rate 1.25 Gbps
- Class 1 laser safety standard IEC 60825 compliant
- LC duplex receptacle
- Low power dissipation
- Plug-and-play capability for easy installation
- Hot Pluggable
- -40°C to +75°C operation temperature
- TTL signal detect indicator
- Single power supply 3.3V
- Comply with the IEEE 802.3ab

S35-2SLC-30

SFP-Port Gigabit Mini GBIC Transceiver Module (1310nm) - 30Km - SM - Wide-Temp

Technical specifications

General

Category	SFP
Port type	Single Mode
No. of fibers	2
Port speed	Gigabit
Wavelength	1310 nm
Maximum distance	30 km
Number of fibers	2
Fiber type	Single-Mode
Max. distance	30km
TX /RX wavelength	1310nm / 1310nm
Data rate	1.25Gbps
PHY type	1000Base-LHX
Power (dBm)	-2 to +3
RX Sen. (dBm)	-23
Power budget	21
Reliability (MTBF)	>50,000 hrs @ 25° C

Electrical

Operating voltage	3.3 VDC
AS/NZS CISPR 22	2006

Physical

Physical dimensions	59 x 15 x 12.4 mm (W x D x H) 2.20 x 0.59 x 0.49 in. (W x D x H)
Net weight	18 g 0.6 oz

Environmental

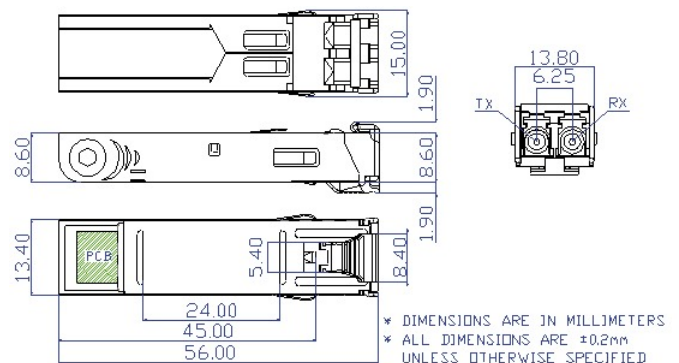
Operating temperature	-40 to +75°C
Storage temperature	-40 to +85°C
Relative humidity	5% to 95% noncondensing

Transmitter Electro-Optical Interface

EMI	EN 55022 CLASS A:2006+A1 : 2007 / EN61000-3-2:2006 / EN61000-3-3: 1995+A1:2001+A2:2005
Optical output power	Min. : -2dBm, Type : - , Max. : +3dBm
Receiver	-23dBm

Standards & regulations

IEEE 802.3ab Fast Ethernet Standard
Class 1 laser product complies with EN 60825-1



As a company of innovation, Carrier Fire & Security reserves the right to change product specifications without notice. For the latest product specifications, visit za.firesecurityproducts.com online or contact your sales representative.

Last updated on 23 July 2021 - 9:57